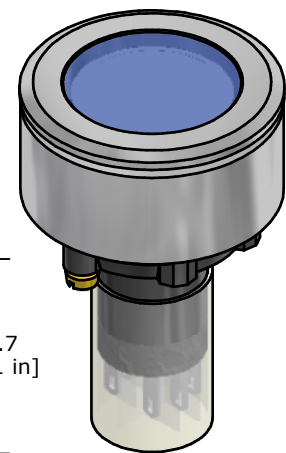
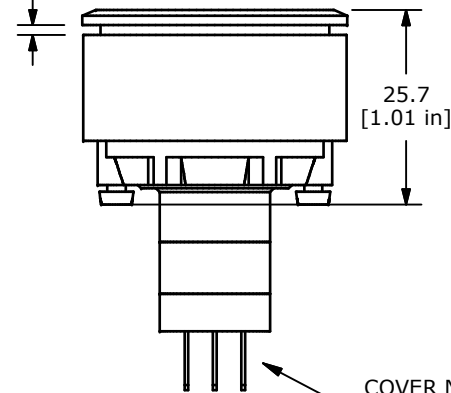
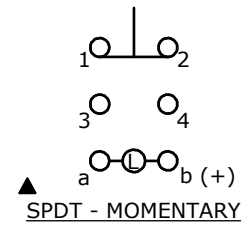
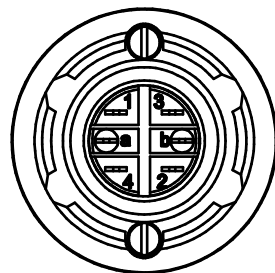


PANEL THICKNESS
.50 - 3.00
[.020 - .118 in]



▲ Parts List			
ITEM	QTY	PART NUMBER	DESCRIPTION
1	1	F060622	LAKOAU110 BODY
2	1	F051706	35MM FLUSH MOUNT BEZEL
3	1	F051707	35MM FLUSH MOUNT RETAINER
4	1	F060211	29MM BLUE LENS
5	1	F050404	14V AC/DC INCANDESCENT BULB

- NOTES:
- ALL DIMENSIONS IN MM [INCH].
 - GENERAL TOLERANCE: 0.0±0.4
0.00±0.25
 - TERM. NOS. FOR REF. ONLY.
 - RATING: 5A @250VAC
8A @125VAC
.2A @250VDC
6A @24VDC
 - INSULATION: 1,000 MΩ MIN.
 - DIELECTRIC STRENGTH: 2000V FOR 1 MIN.
 - SEALED TO IP65.
 - TRAVEL: 3.0MM FULL TRAVEL
 - ELECTRICAL LIFE: >50,000 CYCLES
 - OPERATING TEMP: -25C TO +55C
 - PANEL THICKNESS: 0.5MM TO 3.0MM
 - LAMP VOLTAGE: 14V AC OR DC (80mA, INCANDESCENT)
 - ▲ DENOTES CRITICAL PARAMETER.



A	21100	INITIAL RELEASE	4/11/13	EBP
REV	PCR NO	DESCRIPTION	DATE	BY

THE INFORMATION CONTAINED IN THIS DOCUMENT IS PROPRIETARY TO E-SWITCH AND IS NOT TO BE COPIED OR TRANSFERRED

TITLE LAKOAU31BBLU				
SCALE	DATE	DR	DWG	REV
	4/11/2013	EBP	XF0862P	A